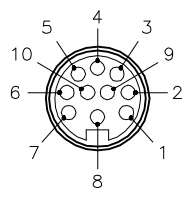
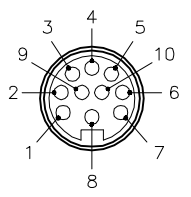
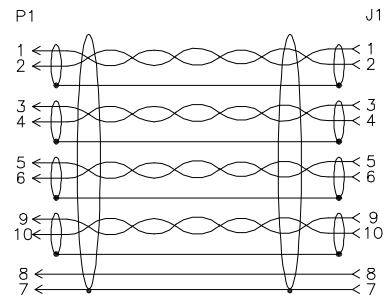
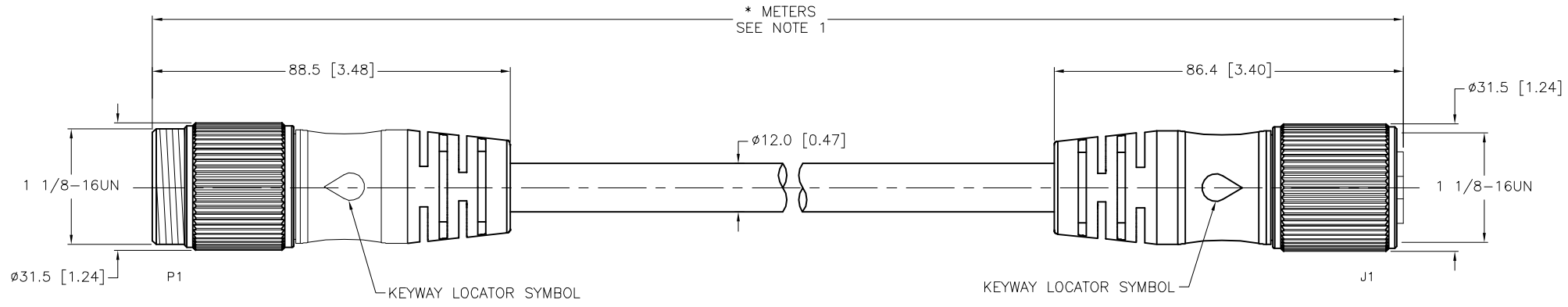


MALE END VIEW	FEMALE END VIEW	WIRING DIAGRAM	SPECIFICATIONS																												
 1 = WHITE/BLACK 2 = BLACK/WHITE 3 = WHITE/GREEN 4 = GREEN/WHITE 5 = WHITE/RED 6 = RED/WHITE 7 = DRAIN 8 = GREEN/YELLOW 9 = WHITE/ORANGE 10 = ORANGE/WHITE			<table border="1"> <tr><td>CONTACT CARRIER MATERIAL</td><td>TPU</td></tr> <tr><td>MOLDED HEAD MATERIAL/COLOR</td><td>TPU/BLACK</td></tr> <tr><td>CONTACT MATERIAL/PLATING</td><td>BRASS/GOLD</td></tr> <tr><td>COUPLING NUT MATERIAL/PLATING</td><td>BRASS/NICKEL</td></tr> <tr><td>RATED CURRENT [A]</td><td>7.0 A</td></tr> <tr><td>RATED VOLTAGE [V]</td><td>600 V</td></tr> <tr><td>OUTER JACKET MATERIAL/COLOR</td><td>PVC/BLACK</td></tr> <tr><td>CONDUCTOR INSULATION MATERIAL</td><td>PVC</td></tr> <tr><td>NUMBER OF CONDUCTORS</td><td>9x18 AWG</td></tr> <tr><td>CONDUCTOR ARRANGEMENT</td><td>4-SHIELDED, TWISTED PAIRS w/DRAIN, 1 GND, 1 DRAIN</td></tr> <tr><td>DRAIN/SHIELD</td><td>5x20 AWG DRAINS/FOIL SHIELD</td></tr> <tr><td>TEMPERATURE RATING</td><td>-40°C to +105°C (-40°F to +221°F)</td></tr> <tr><td>PROTECTION CLASS</td><td>NEMA 1,3,4,6P,12 & IECIP67, IP68,IP69,IP69K</td></tr> <tr><td>CABLE RATINGS</td><td>UL: ITC-ER/PLTC-ER, DIRECT BURIAL, 105C CSA: CIC/TC, 90C, 600V C(UL) C22.2 NO 245/1309 MARINE SHIPBOARD/IEEE 1580</td></tr> </table>	CONTACT CARRIER MATERIAL	TPU	MOLDED HEAD MATERIAL/COLOR	TPU/BLACK	CONTACT MATERIAL/PLATING	BRASS/GOLD	COUPLING NUT MATERIAL/PLATING	BRASS/NICKEL	RATED CURRENT [A]	7.0 A	RATED VOLTAGE [V]	600 V	OUTER JACKET MATERIAL/COLOR	PVC/BLACK	CONDUCTOR INSULATION MATERIAL	PVC	NUMBER OF CONDUCTORS	9x18 AWG	CONDUCTOR ARRANGEMENT	4-SHIELDED, TWISTED PAIRS w/DRAIN, 1 GND, 1 DRAIN	DRAIN/SHIELD	5x20 AWG DRAINS/FOIL SHIELD	TEMPERATURE RATING	-40°C to +105°C (-40°F to +221°F)	PROTECTION CLASS	NEMA 1,3,4,6P,12 & IECIP67, IP68,IP69,IP69K	CABLE RATINGS	UL: ITC-ER/PLTC-ER, DIRECT BURIAL, 105C CSA: CIC/TC, 90C, 600V C(UL) C22.2 NO 245/1309 MARINE SHIPBOARD/IEEE 1580
CONTACT CARRIER MATERIAL	TPU																														
MOLDED HEAD MATERIAL/COLOR	TPU/BLACK																														
CONTACT MATERIAL/PLATING	BRASS/GOLD																														
COUPLING NUT MATERIAL/PLATING	BRASS/NICKEL																														
RATED CURRENT [A]	7.0 A																														
RATED VOLTAGE [V]	600 V																														
OUTER JACKET MATERIAL/COLOR	PVC/BLACK																														
CONDUCTOR INSULATION MATERIAL	PVC																														
NUMBER OF CONDUCTORS	9x18 AWG																														
CONDUCTOR ARRANGEMENT	4-SHIELDED, TWISTED PAIRS w/DRAIN, 1 GND, 1 DRAIN																														
DRAIN/SHIELD	5x20 AWG DRAINS/FOIL SHIELD																														
TEMPERATURE RATING	-40°C to +105°C (-40°F to +221°F)																														
PROTECTION CLASS	NEMA 1,3,4,6P,12 & IECIP67, IP68,IP69,IP69K																														
CABLE RATINGS	UL: ITC-ER/PLTC-ER, DIRECT BURIAL, 105C CSA: CIC/TC, 90C, 600V C(UL) C22.2 NO 245/1309 MARINE SHIPBOARD/IEEE 1580																														

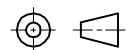


CABLE LENGTH	TOLERANCE*
ALL LENGTHS	+ 4% (OR 50mm) OF LENGTH - 0% (OR 0mm) OF LENGTH WHICHEVER IS GREATER
STRIP LENGTH	TOLERANCE*
0-7mm	±0.5mm
8-29mm	±1.0mm
30-49mm	±2.0mm
50-69mm	±3.0mm
70-100mm	±4.0mm
OVER 100mm	±5.0mm

*UNLESS OTHERWISE SPECIFIED

NOTES:
 1. "*" INDICATES CABLE LENGTH IN METERS. CONTACT TURCK TO ORDER SPECIFIC LENGTHS.

SOURCE DRAWING - FOR REFERENCE ONLY

RELATED DOCUMENTS	3RD ANGLE PROJECTION	THIS DRAWING IS CONFIDENTIAL AND THE PROPERTY OF TURCK INC. USE OF THIS DOCUMENT WITHOUT WRITTEN PERMISSION IS PROHIBITED.		3000 CAMPUS DRIVE MINNEAPOLIS, MN 55441 1-800-544-7769 (763) 553-7300 (763) 553-0708 fax www.turck.us	
1.		DRFT	RDS	DATE	06/10/08
2.		APVD		SCALE	1=1.5
3.	ALL DIMENSIONS DISPLAYED ON THIS DRAWING ARE FOR REFERENCE ONLY	UNIT OF MEASUREMENT		DESCRIPTION	
4.		MILLIMETER [INCH]		P-RSM RKM 101-489-*M	
MATERIAL	CONTACT TURCK FOR MORE INFORMATION	IDENTIFICATION NO.		REV	
SEE SPECIFICATIONS				G	
FINISH	DO NOT SCALE THIS DRAWING	FILE: 777021950		SHEET 1 OF 1	
SEE SPECIFICATIONS					

G	UPDATE PROTECTION CLASS	CBM	04/13/21	76628
REV	DESCRIPTION	BY	DATE	ECO NO.